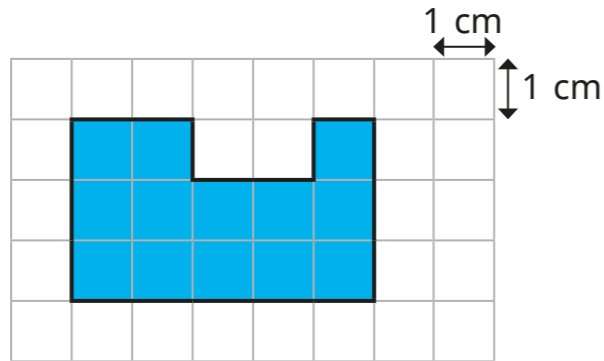


Perimeter and area

Name: _____

1 Here is a shape on a centimetre-squared grid.



What is the area of the shape?

 cm²

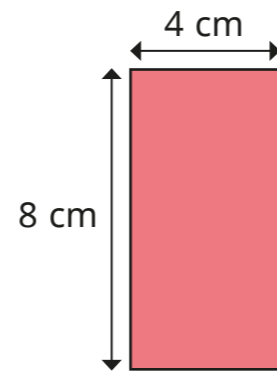
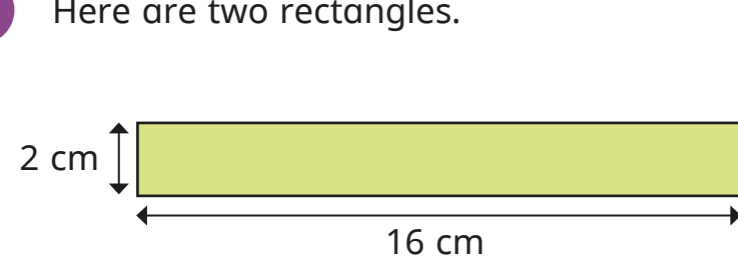
1 mark

What is the perimeter of the shape?

 cm

1 mark

2 Here are two rectangles.



Are the statements true or false?

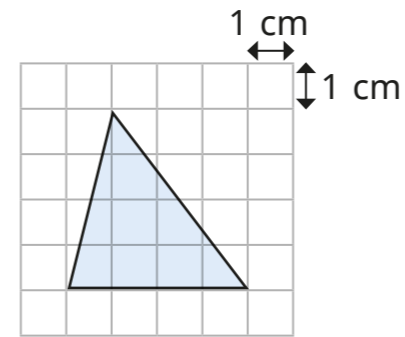
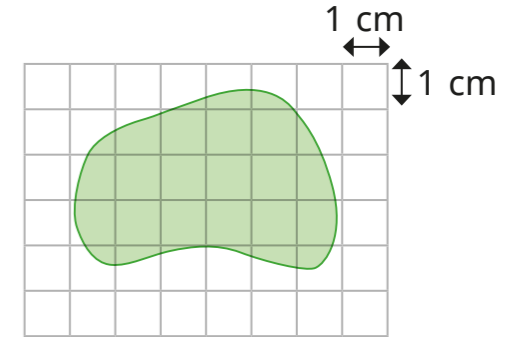
The shapes have the same area.

1 mark

The shapes have the same perimeter.

1 mark

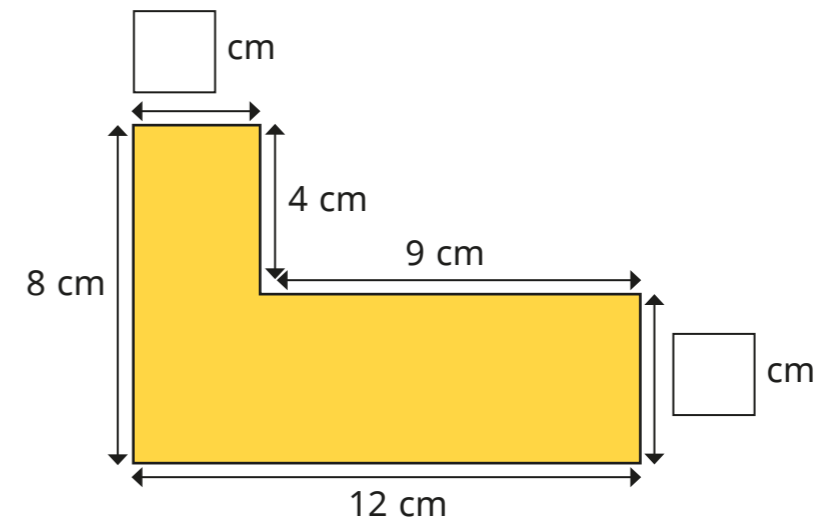
3 Estimate the areas of the shapes.


 cm²

 cm²

2 marks

4 Here is a shape.

Work out the unknown lengths.



1 mark

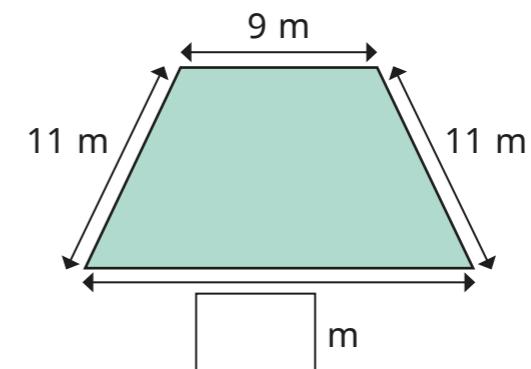
Work out the perimeter of the shape.

 cm

1 mark

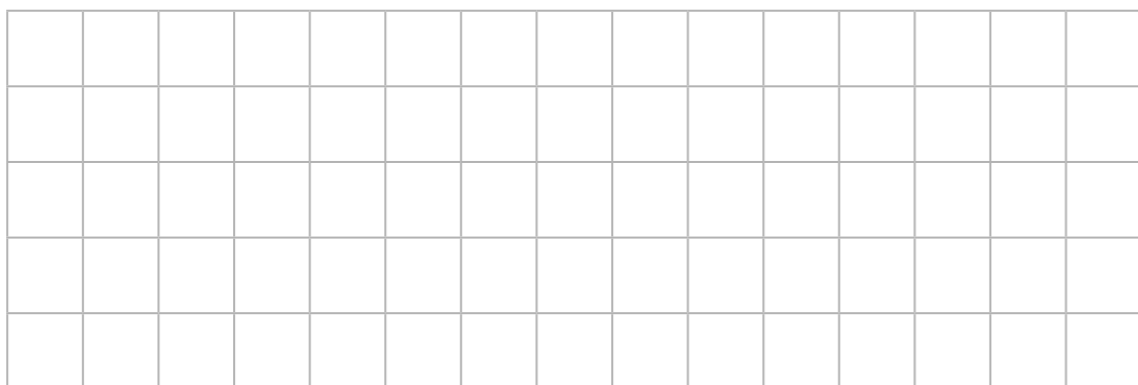
5 The perimeter of the shape is 50 m.

Work out the unknown length.



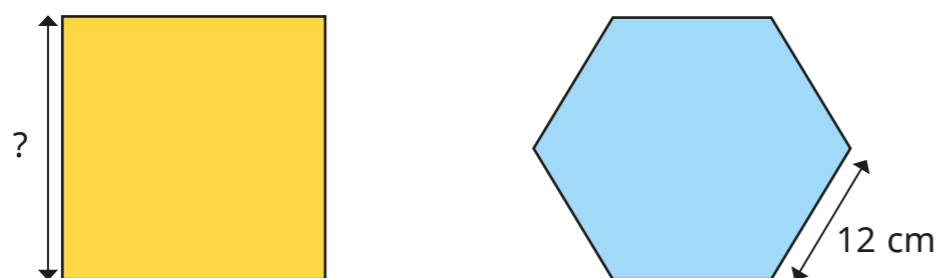
2 marks

- 6 Draw a rectangle with an area of 15 squares and a perimeter of 16 squares.



2 marks

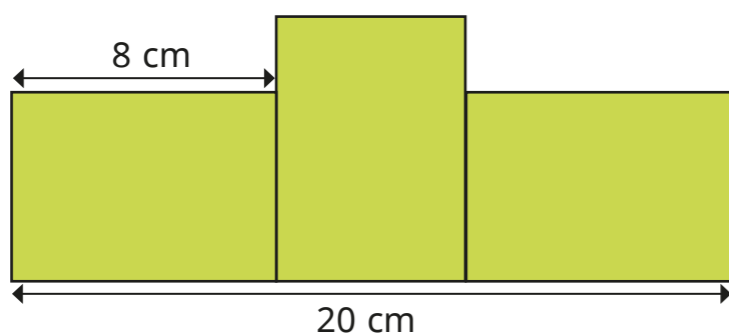
- 7 The square and the regular hexagon have the same perimeter.



What is the length of one side of the square? cm

2 marks

- 8 The shape is made up of three identical rectangles.



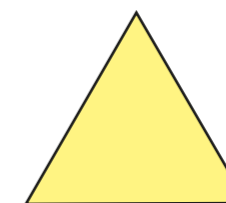
Work out the area of the shape. cm²

2 marks

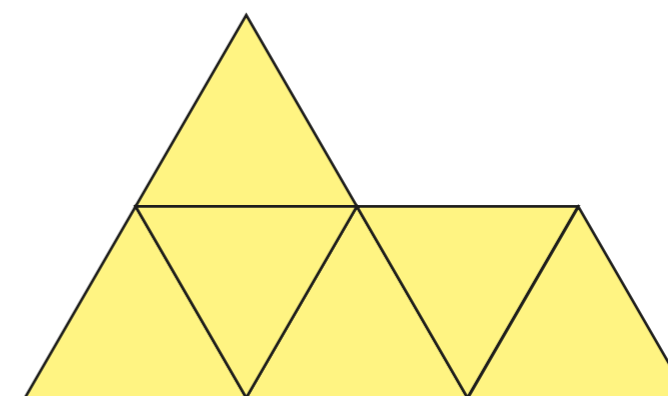
- 9 Mr Trent wants to paint a 4 m by 8 m wall.
One tin of paint will cover 5 m²
How many tins of paint will Mr Trent need to buy?

2 marks

- 10 An equilateral triangle has a perimeter of 18 cm.



Dexter uses six of the triangles to make a shape.



What is the perimeter of Dexter's shape?

cm

2 marks